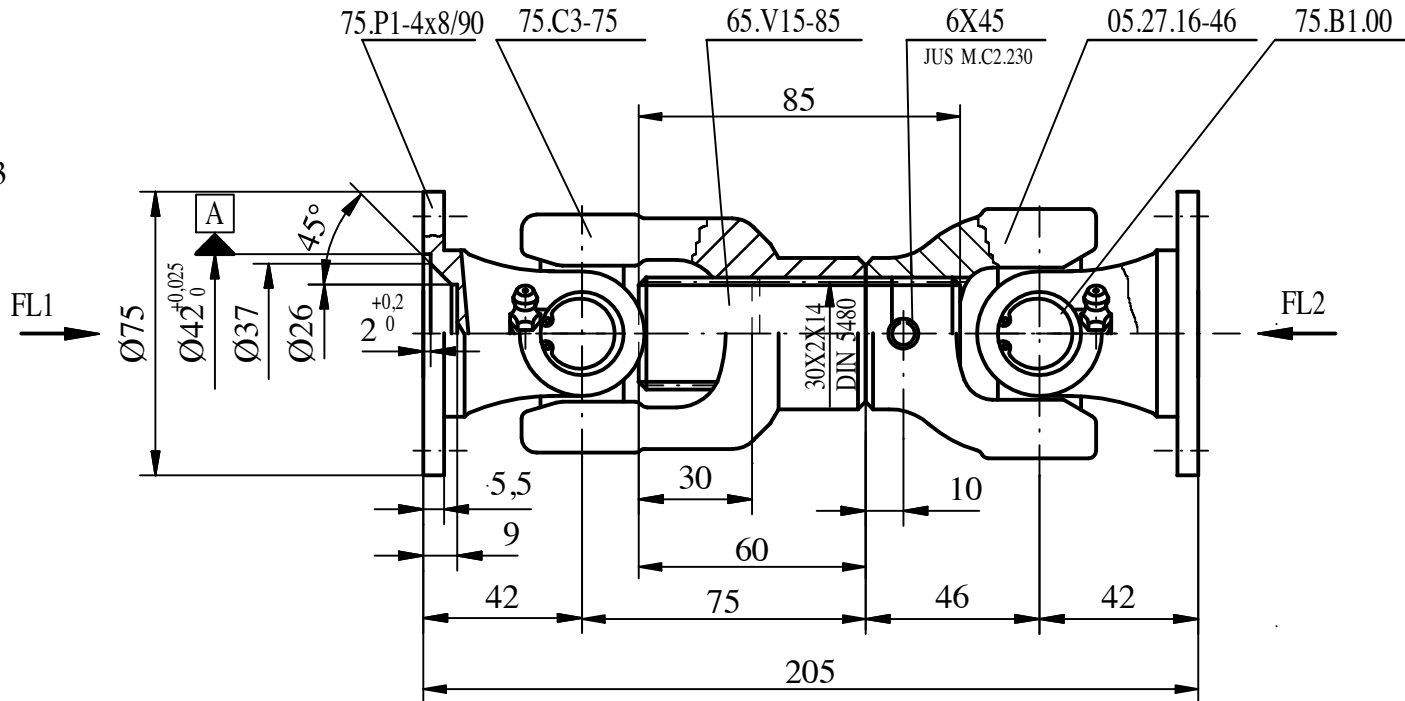
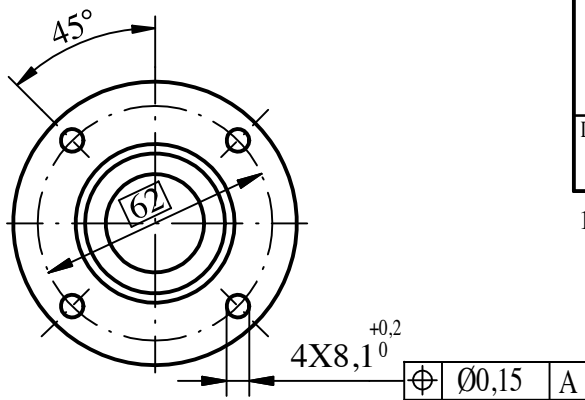


17.12.2013



POGLED: FL1+FL2



FKL TO VERIFY

COMPANY:

DATE:

SIGNATURE:

17.12.2013

SVOJINA FKL-a TEMERIN. Bez pismenog odobrenja crtez ne sme biti korišćen za izradu niti davan trećem licu ili reprodukovana. FKL zadržava sva prava koja mu po Zakonu pripadaju.
PROPERTY OF FKL TEMERIN. This drawing must not be used for manufacture not given to other parties or reproduced without written permission FKL reserve all rights belonging.

- Max. torque $M = 400 \text{ Nm}$
- Max. operating angle $\beta_{\max} = 30^\circ$
- Max. length compensation $L_{T\max} = 30\text{mm}$
- Max. speed $n = 500\text{rpm}$
- Lubricant for bearings: LICAL EP-2 -"FINA"
- Flanges protected from corroding
- Painting: Red IC-105

FKL		Tolerancija slob.mera	Hemijsko-termička obrada:	
Konstruisao	Datum	Ime	Materijal:	Masa: 2.6 kg
Pregledao	16.12.2013	Koman Laslo	Veza:	Razm: 1:2
Overio	17.12.2013	Marčević D.	FKL - RUSSIA	
Ident:	Naziv:	Oznaka:		
701523	CARDAN SHAFT KARDANSKO VRATILO	A75.04.205.P1-4x8/90		

Šifra
Datum
Popis

IZMENE

290505