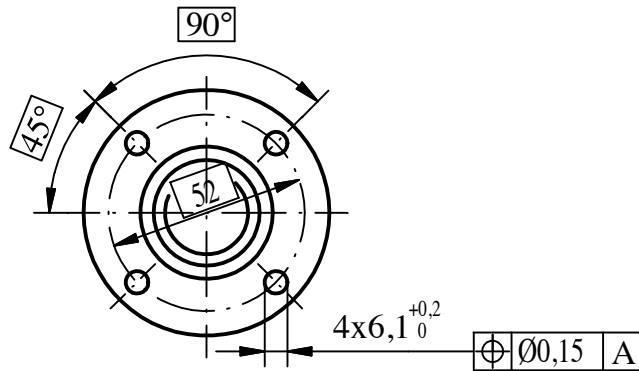
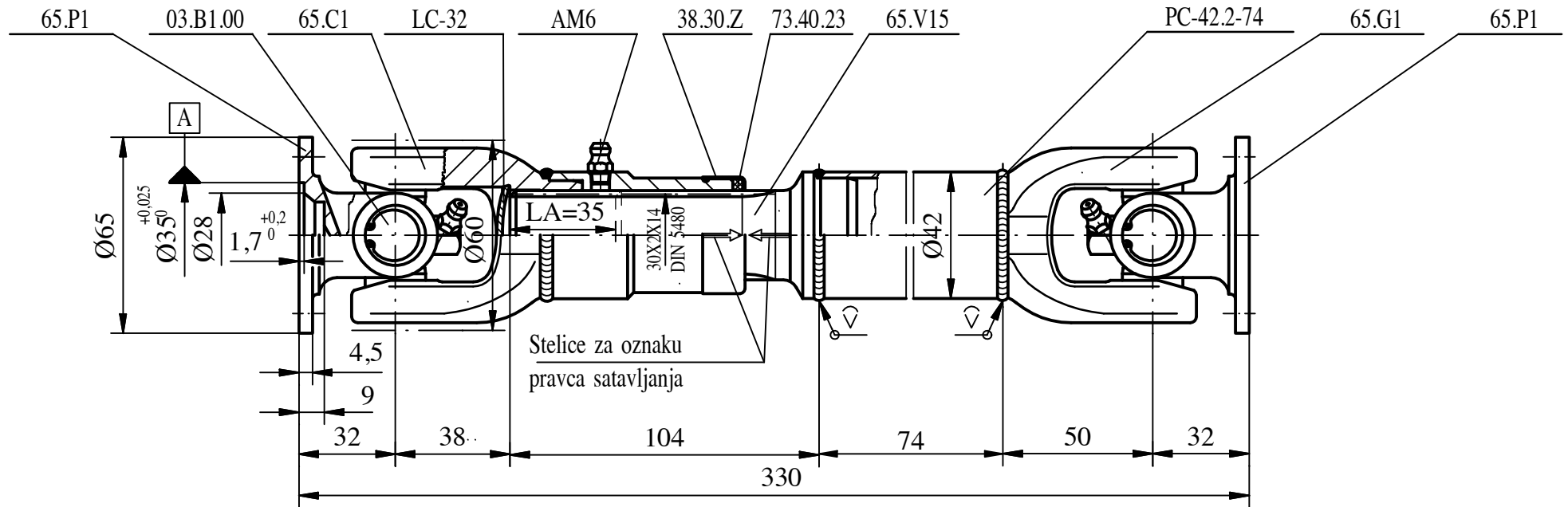


14.08.2012



- Max. torque $M = 250 \text{ Nm}$
- Max. operating angle $\beta_{\max} = 24^\circ$
- Max. length compensation $L_{T\max} = 35 \text{ mm}$
- Balanced in two planes (1,2). ISO 1940/1 G16
- Balancing speed $n = 2500 \text{ rpm}$
- Lubricant for bearings and slip stub shaft: LICAL EP-2 -"FINA"
- Flanges protected from corroding
- Painting: Red IC-105

14.08.2012

FKL TO VERIFY

COMPANY:

DATE:

SIGNATURE:

SVOJINA FKL-a TEMERIN. Bez pismenog odobrenja crtež ne sme biti korišćen za izradu niti davan trećem licu ili reprodukovan. FKL zadržava sva prava koja mu po Zakonu pripadaju. PROPERTY OF FKL TEMERIN. This drawing must not be used for manufacture not given to other parties or reproduced without written permission FKL reserve all rights belonging.

FKL		Tolerancija slob.mera		Hemijsko-termička obrada:	
Konstruisao	Datum	Ime	Materijal:	Masa:	
Pregledao	14.08.2012	Koman Laslo		2.8 kg	
Overio	14.08.2012	Marčetić D.	Veza:	Razm:	1:2
Ident:	703401	Mijušković M.	FKL Russia 76.939.00 SB		
		Naziv:	Oznaka:		
		KARDANSKO VRATILO	A65.01.330.P1/2,5		

Sifra
Datum
Popis
IZMENE
290505