

FKL TO VERIFY

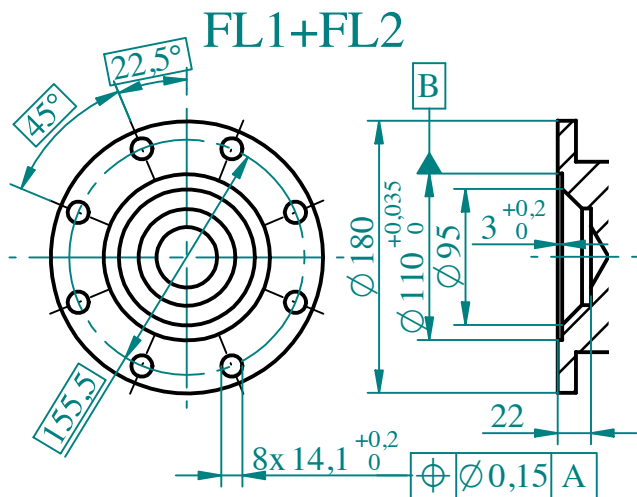
COMPANY:

DATE:

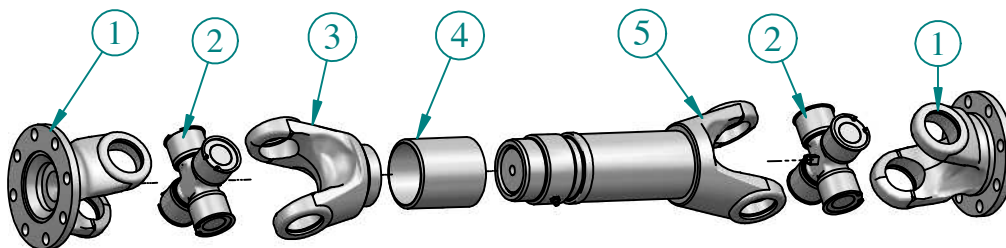
SIGNATURE:

14.08.2012

SVOJINA FKL-a TEMERIN. Bez pismenog odobrenja crtež ne sme biti korišćen za izradu niti davan trećem licu ili reprodukovano. FKL zadržava sva prava koja mu po Zakonu pripadaju.
PROPERTY OF FKL TEMERIN. This drawing must not be used for manufacture not given to other parties or reproduced without written permission FKL reserve all rights belonging.



-Max. Torque	12000 Nm		
-Max.deflection angle	30°		
-Max. length compensation	140 mm		
-Balancing	ISO 1940/1-G16		
-Balancing speed	n= 1200 rpm		
-Lubricant	LICAL EP-2		
-Painting	Red IC-105		
R.br	NAZIV:	DIM:	Kom
1	Flange Yoke	180 / 8x14	1
2	Universal Joint	Ø57x144	2
3	Tube Yoke	Ly=100X6	1
4	Tube	Ø100 Lt=1559mm	1
5	Splined assy	75x2.5x28 DIN 5480	1



FKL		Tolerancija slob mera	Hemijsko-termička obrada:	
Konstruisao	Datum	Ime	Materijal:	Masa:
Pregledao	14.08.2012	KomanL		67 kg
Overio	14.08.2012	Marčetić D.	Veza: FKL- Russia	Razm:
	14.08.2012	Mijušković M.		
Ident:	Naziv:	Oznaka:		
703402	KARDANSKO VRATILO	B180.01.2200.P1-8x14/1,2		