

# Y Kuglični ležaj

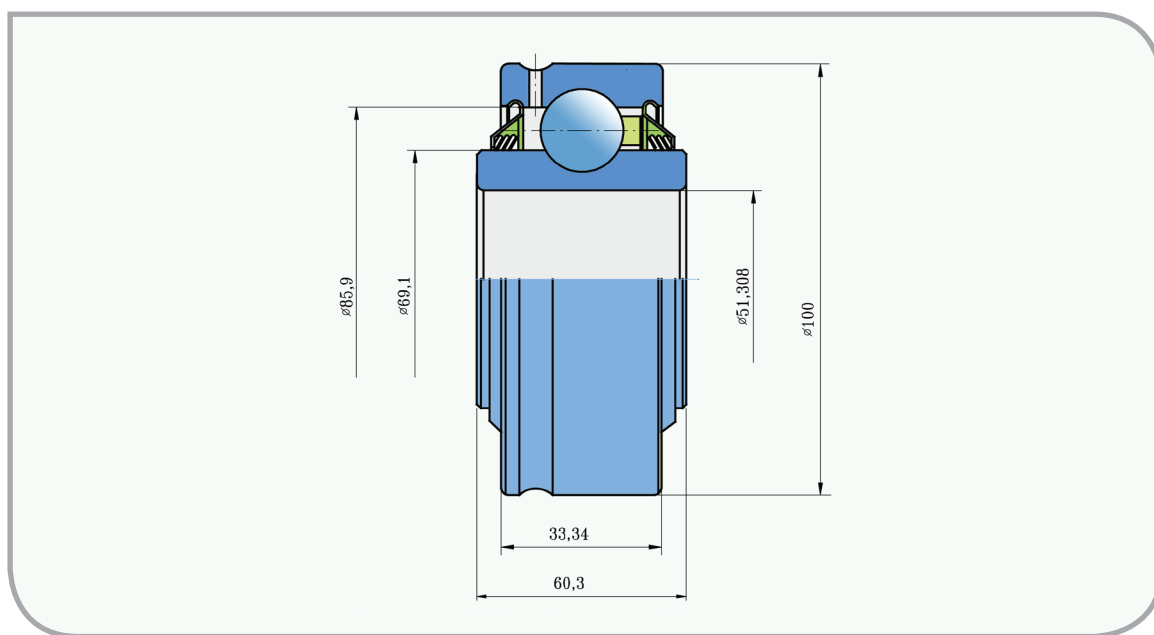
## Y Ball bearing

GW 211PP202



### UPOREDNE OZNAKE COMPARATIVE DESIGNATION

FKL	GW 211PP202
SUMMERS	8K2050 8K2000

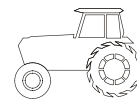


Osnovne mere/Dimensions (mm)

d	D	B	kg
51,308	100	60,3	1,11

Potencijalno mesto ugradnje i primena:  
Typical applications:

Ugrađuje se u tanjirače poljoprivredne mehanizacije Summers  
Diamond Disk & Supercoulter Plus  
Mounting into disc harow agricultural machines Summers  
Diamond Disk & Supercoulter Plus



Poljoprivredni program  
Agricultural program