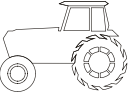
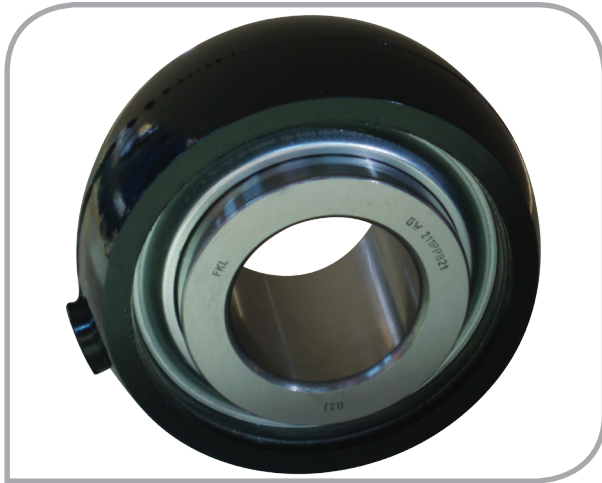


Подшипник бороны диска Disc harrow bearing

GWR 211PPB21



Keohain
Agricultural programm



ВАРИАНТЫ МАРКИРОВКИ PARALLEL MARKS

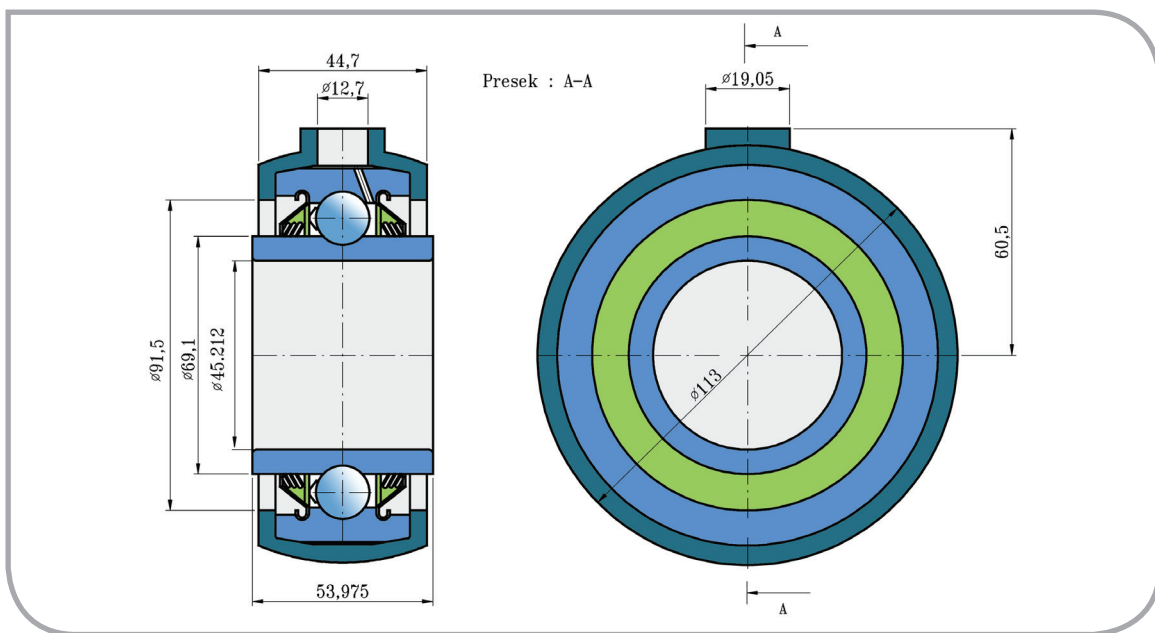
FKL GWR 211PPB21

GREAT PLAINS 822-026

KRAUSE CDS211TTR23N/3A

GW211PPB21+BR211RH

2410-10-0



Dimensions (mm)

d	D	B	H	kg
45,212	113	53,975	60,5	1,620

hghbbibgg

Possible place of mounting and application:

(LEMKEN, CASE, CLAAS, SUNFLOWER, KRAUSE, NEW HOLLAND, ROPA, KVERNELAND, AMAZONE, JOHN DEERE, GREAT PLAINS, KINZE)

Agricultural attachment machines (LEMKEN, CASE, CLAAS, SUNFLOWER, KRAUSE, NEW HOLLAND, ROPA, KVERNELAND, AMAZONE, JOHN DEERE, GREAT PLAINS, KINZE)