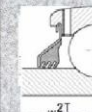


ШАРИКОПОДШИПНИКИ ДЛЯ СЕЛЬСКОХОЗЯЙСТВЕННЫХ МАШИН

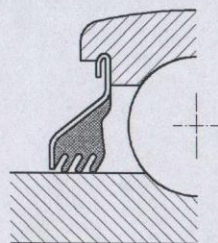
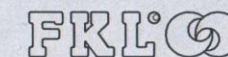
ОПОРНЫЕ ЕДИНИЦЫ

	ПОСТОЯННАЯ СМАЗКА				С ОТВЕРСТИЕМ ДЛЯ СМАЗКИ																																																																																																																																																																																																														
	ВНУТРЕННЕЕ КОЛЬЦО	ЦИЛИНДРИЧЕСКОЕ НАРУЖНОЕ КОЛЬЦО	СФЕРИЧЕСКОЕ НАРУЖНОЕ КОЛЬЦО	ЦИЛИНДРИЧЕСКОЕ НАРУЖНОЕ КОЛЬЦО	СФЕРИЧЕСКОЕ НАРУЖНОЕ КОЛЬЦО	ЦИЛИНДРИЧЕСКОЕ НАРУЖНОЕ КОЛЬЦО	СФЕРИЧЕСКОЕ НАРУЖНОЕ КОЛЬЦО																																																																																																																																																																																																												
КРУГЛОЕ ОТВЕРСТИЕ 									<table border="1"> <thead> <tr> <th></th> <th>d</th> <th>L</th> <th>B</th> <th>A</th> </tr> </thead> <tbody> <tr> <td>GWST 209PPB12</td> <td>44,831</td> <td>127</td> <td>42,85</td> <td>40</td> </tr> <tr> <td>GWST 209PPB40</td> <td>40</td> <td>127</td> <td>42,85</td> <td>40</td> </tr> <tr> <td>GWST 21 1PPB15</td> <td>55,58</td> <td>140</td> <td>55,55</td> <td>44,7</td> </tr> <tr> <td>LSST 21 1X3-3</td> <td>55</td> <td>140</td> <td>55</td> <td>44,7</td> </tr> </tbody> </table>		d	L	B	A	GWST 209PPB12	44,831	127	42,85	40	GWST 209PPB40	40	127	42,85	40	GWST 21 1PPB15	55,58	140	55,55	44,7	LSST 21 1X3-3	55	140	55	44,7																																																																																																																																																																																	
		d	L	B	A																																																																																																																																																																																																														
	GWST 209PPB12	44,831	127	42,85	40																																																																																																																																																																																																														
	GWST 209PPB40	40	127	42,85	40																																																																																																																																																																																																														
	GWST 21 1PPB15	55,58	140	55,55	44,7																																																																																																																																																																																																														
	LSST 21 1X3-3	55	140	55	44,7																																																																																																																																																																																																														
		<table border="1"> <thead> <tr> <th></th> <th>d</th> <th>D</th> <th>B</th> <th>C</th> </tr> </thead> <tbody> <tr> <td>W208PP4</td> <td>30,17</td> <td>80</td> <td>30,18</td> <td>30,18</td> </tr> <tr> <td>W208PP7</td> <td>30,17</td> <td>80</td> <td>30,18</td> <td>18</td> </tr> <tr> <td>W208PP10</td> <td>38,11</td> <td>80</td> <td>42,85</td> <td>21</td> </tr> <tr> <td>W210PP2</td> <td>49,23</td> <td>90</td> <td>30,18</td> <td>30,18</td> </tr> <tr> <td>W210PP8</td> <td>38,86</td> <td>90</td> <td>30,18</td> <td>30,18</td> </tr> <tr> <td>W211PP2</td> <td>55,58</td> <td>100</td> <td>33,34</td> <td>33,34</td> </tr> </tbody> </table>		d	D	B	C	W208PP4		30,17	80	30,18	30,18	W208PP7	30,17	80	30,18	18	W208PP10	38,11	80	42,85	21	W210PP2	49,23	90	30,18	30,18	W210PP8	38,86	90	30,18	30,18	W211PP2	55,58	100	33,34	33,34	<table border="1"> <thead> <tr> <th></th> <th>d</th> <th>D</th> <th>B</th> <th>C</th> </tr> </thead> <tbody> <tr> <td>W208PPB2</td> <td>38,11</td> <td>80</td> <td>42,96</td> <td>18</td> </tr> <tr> <td>W208PPB4</td> <td>30,17</td> <td>80</td> <td>30,18</td> <td>30,18</td> </tr> <tr> <td>W208PPB7</td> <td>30,17</td> <td>80</td> <td>30,18</td> <td>18</td> </tr> <tr> <td>W208PPB23</td> <td>38,11</td> <td>80</td> <td>42,96</td> <td>30,18</td> </tr> <tr> <td>W209PPB2</td> <td>45</td> <td>85</td> <td>30,18</td> <td>30,18</td> </tr> <tr> <td>W209PPB4</td> <td>39</td> <td>85</td> <td>30,18</td> <td>30,18</td> </tr> <tr> <td>W209PPB11</td> <td>45,24</td> <td>85</td> <td>36,53</td> <td>22</td> </tr> <tr> <td>W210PPB2</td> <td>49,23</td> <td>90</td> <td>30,18</td> <td>30,18</td> </tr> <tr> <td>W210PPB5</td> <td>45,34</td> <td>90</td> <td>30,18</td> <td>30,18</td> </tr> <tr> <td>W211PPB2</td> <td>55,58</td> <td>100</td> <td>33,34</td> <td>33,34</td> </tr> </tbody> </table>		d	D	B	C	W208PPB2	38,11	80	42,96	18	W208PPB4	30,17	80	30,18	30,18	W208PPB7	30,17	80	30,18	18	W208PPB23	38,11	80	42,96	30,18	W209PPB2	45	85	30,18	30,18	W209PPB4	39	85	30,18	30,18	W209PPB11	45,24	85	36,53	22	W210PPB2	49,23	90	30,18	30,18	W210PPB5	45,34	90	30,18	30,18	W211PPB2	55,58	100	33,34	33,34	<table border="1"> <thead> <tr> <th></th> <th>d</th> <th>D</th> <th>B</th> <th>C</th> </tr> </thead> <tbody> <tr> <td>GW210PP3</td> <td>35,73</td> <td>90</td> <td>30,18</td> <td>30,18</td> </tr> <tr> <td>GW210PP9</td> <td>49,40</td> <td>90</td> <td>36,53</td> <td>23</td> </tr> <tr> <td>GW21 1PP2</td> <td>55,58</td> <td>100</td> <td>33,34</td> <td>33,34</td> </tr> <tr> <td>GW21 1PP4</td> <td>42,16</td> <td>100</td> <td>33,34</td> <td>33,34</td> </tr> <tr> <td>GW21 1PP9</td> <td>55,75</td> <td>100</td> <td>39,69</td> <td>25</td> </tr> <tr> <td>GW21 1PP13</td> <td>45,34</td> <td>100</td> <td>33,34</td> <td>25</td> </tr> <tr> <td>GW21 1PP25</td> <td>45,21</td> <td>100</td> <td>44,5</td> <td>33,34</td> </tr> </tbody> </table>		d	D	B	C	GW210PP3	35,73	90	30,18	30,18	GW210PP9	49,40	90	36,53	23	GW21 1PP2	55,58	100	33,34	33,34	GW21 1PP4	42,16	100	33,34	33,34	GW21 1PP9	55,75	100	39,69	25	GW21 1PP13	45,34	100	33,34	25	GW21 1PP25	45,21	100	44,5	33,34	<table border="1"> <thead> <tr> <th></th> <th>d</th> <th>D</th> <th>B</th> <th>C</th> </tr> </thead> <tbody> <tr> <td>GW209PPB2</td> <td>45</td> <td>85</td> <td>30,18</td> <td>30,18</td> </tr> <tr> <td>GW209PPB4</td> <td>39</td> <td>85</td> <td>30,18</td> <td>30,18</td> </tr> <tr> <td>GW209PPB11</td> <td>45,24</td> <td>85</td> <td>36,53</td> <td>22</td> </tr> <tr> <td>GW209PPB12</td> <td>44,83</td> <td>85</td> <td>42,85</td> <td>22</td> </tr> <tr> <td>GW210PPB2</td> <td>49,23</td> <td>90</td> <td>30,18</td> <td>30,18</td> </tr> <tr> <td>GW210PPB5</td> <td>45,34</td> <td>90</td> <td>30,18</td> <td>30,18</td> </tr> <tr> <td>GW21 1PPB2</td> <td>55,58</td> <td>100</td> <td>33,34</td> <td>33,34</td> </tr> <tr> <td>GW21 1PPB8</td> <td>55,58</td> <td>100</td> <td>33,34</td> <td>25</td> </tr> <tr> <td>GW21 1PPB9</td> <td>55,75</td> <td>100</td> <td>39,69</td> <td>25</td> </tr> <tr> <td>GW21 1PPB10</td> <td>49,23</td> <td>100</td> <td>33,34</td> <td>33,34</td> </tr> <tr> <td>GW21 1PPB13</td> <td>45,34</td> <td>100</td> <td>33,34</td> <td>25</td> </tr> <tr> <td>GW21 1PPB14</td> <td>51,18</td> <td>100</td> <td>33,34</td> <td>25</td> </tr> <tr> <td>GW21 1PPB15</td> <td>55,58</td> <td>100</td> <td>55,55</td> <td>25</td> </tr> <tr> <td>GW21 1PPB16</td> <td>55,58</td> <td>100</td> <td>40</td> <td>25</td> </tr> </tbody> </table>		d	D	B	C	GW209PPB2	45	85	30,18	30,18	GW209PPB4	39	85	30,18	30,18	GW209PPB11	45,24	85	36,53	22	GW209PPB12	44,83	85	42,85	22	GW210PPB2	49,23	90	30,18	30,18	GW210PPB5	45,34	90	30,18	30,18	GW21 1PPB2	55,58	100	33,34	33,34	GW21 1PPB8	55,58	100	33,34	25	GW21 1PPB9	55,75	100	39,69	25	GW21 1PPB10	49,23	100	33,34	33,34	GW21 1PPB13	45,34	100	33,34	25	GW21 1PPB14	51,18	100	33,34	25	GW21 1PPB15	55,58	100	55,55	25	GW21 1PPB16	55,58	100	40	25
		d	D	B	C																																																																																																																																																																																																														
	W208PP4	30,17	80	30,18	30,18																																																																																																																																																																																																														
	W208PP7	30,17	80	30,18	18																																																																																																																																																																																																														
W208PP10	38,11	80	42,85	21																																																																																																																																																																																																															
W210PP2	49,23	90	30,18	30,18																																																																																																																																																																																																															
W210PP8	38,86	90	30,18	30,18																																																																																																																																																																																																															
W211PP2	55,58	100	33,34	33,34																																																																																																																																																																																																															
	d	D	B	C																																																																																																																																																																																																															
W208PPB2	38,11	80	42,96	18																																																																																																																																																																																																															
W208PPB4	30,17	80	30,18	30,18																																																																																																																																																																																																															
W208PPB7	30,17	80	30,18	18																																																																																																																																																																																																															
W208PPB23	38,11	80	42,96	30,18																																																																																																																																																																																																															
W209PPB2	45	85	30,18	30,18																																																																																																																																																																																																															
W209PPB4	39	85	30,18	30,18																																																																																																																																																																																																															
W209PPB11	45,24	85	36,53	22																																																																																																																																																																																																															
W210PPB2	49,23	90	30,18	30,18																																																																																																																																																																																																															
W210PPB5	45,34	90	30,18	30,18																																																																																																																																																																																																															
W211PPB2	55,58	100	33,34	33,34																																																																																																																																																																																																															
	d	D	B	C																																																																																																																																																																																																															
GW210PP3	35,73	90	30,18	30,18																																																																																																																																																																																																															
GW210PP9	49,40	90	36,53	23																																																																																																																																																																																																															
GW21 1PP2	55,58	100	33,34	33,34																																																																																																																																																																																																															
GW21 1PP4	42,16	100	33,34	33,34																																																																																																																																																																																																															
GW21 1PP9	55,75	100	39,69	25																																																																																																																																																																																																															
GW21 1PP13	45,34	100	33,34	25																																																																																																																																																																																																															
GW21 1PP25	45,21	100	44,5	33,34																																																																																																																																																																																																															
	d	D	B	C																																																																																																																																																																																																															
GW209PPB2	45	85	30,18	30,18																																																																																																																																																																																																															
GW209PPB4	39	85	30,18	30,18																																																																																																																																																																																																															
GW209PPB11	45,24	85	36,53	22																																																																																																																																																																																																															
GW209PPB12	44,83	85	42,85	22																																																																																																																																																																																																															
GW210PPB2	49,23	90	30,18	30,18																																																																																																																																																																																																															
GW210PPB5	45,34	90	30,18	30,18																																																																																																																																																																																																															
GW21 1PPB2	55,58	100	33,34	33,34																																																																																																																																																																																																															
GW21 1PPB8	55,58	100	33,34	25																																																																																																																																																																																																															
GW21 1PPB9	55,75	100	39,69	25																																																																																																																																																																																																															
GW21 1PPB10	49,23	100	33,34	33,34																																																																																																																																																																																																															
GW21 1PPB13	45,34	100	33,34	25																																																																																																																																																																																																															
GW21 1PPB14	51,18	100	33,34	25																																																																																																																																																																																																															
GW21 1PPB15	55,58	100	55,55	25																																																																																																																																																																																																															
GW21 1PPB16	55,58	100	40	25																																																																																																																																																																																																															
КВАДРАТНОЕ ОТВЕРСТИЕ 			<table border="1"> <thead> <tr> <th></th> <th>a</th> <th>D</th> <th>B</th> <th>C</th> </tr> </thead> <tbody> <tr> <td>W208PPB5</td> <td>28,6</td> <td>80</td> <td>36,53</td> <td>18</td> </tr> <tr> <td>W208PPB6</td> <td>25,4</td> <td>80</td> <td>36,53</td> <td>18</td> </tr> <tr> <td>W208PPB8</td> <td>28,6</td> <td>80</td> <td>36,53</td> <td>30,18</td> </tr> <tr> <td>W208PPB9</td> <td>25,4</td> <td>80</td> <td>36,53</td> <td>30,18</td> </tr> <tr> <td>W208PPB11</td> <td>22,2</td> <td>85,74</td> <td>36,53</td> <td>30,18</td> </tr> <tr> <td>W208PPB12</td> <td>28,6</td> <td>85,74</td> <td>36,53</td> <td>30,18</td> </tr> <tr> <td>W208PPB13</td> <td>22,2</td> <td>80</td> <td>36,53</td> <td>18</td> </tr> <tr> <td>W208PPB18</td> <td>22,2</td> <td>87,34</td> <td>36,53</td> <td>30,18</td> </tr> <tr> <td>W208PPB19</td> <td>28,6</td> <td>87,34</td> <td>36,53</td> <td>30,18</td> </tr> <tr> <td>W209PPB5</td> <td>31,8</td> <td>85</td> <td>36,53</td> <td>30,18</td> </tr> <tr> <td>W209PPB7</td> <td>31,8</td> <td>87,34</td> <td>36,53</td> <td>30,18</td> </tr> <tr> <td>W209PPB8</td> <td>31,8</td> <td>85</td> <td>36,53</td> <td>19</td> </tr> <tr> <td>W209PPB30</td> <td>30</td> <td>90</td> <td>45</td> <td>29</td> </tr> <tr> <td>W209PPB25</td> <td>25</td> <td>90</td> <td>45</td> <td>29</td> </tr> <tr> <td>W210PPB4</td> <td>28,6</td> <td>90</td> <td>30,18</td> <td>30,18</td> </tr> <tr> <td>W210PPB6</td> <td>28,6</td> <td>90</td> <td>36,53</td> <td>30,18</td> </tr> <tr> <td>W211PPB3</td> <td>38,1</td> <td>100</td> <td>33,34</td> <td>33,34</td> </tr> <tr> <td>W211PPB5</td> <td>38,1</td> <td>104,77</td> <td>44,45</td> <td>36,53</td> </tr> <tr> <td>W211PPB6</td> <td>38,1</td> <td>103,56</td> <td>44,45</td> <td>36,53</td> </tr> </tbody> </table>		a	D	B	C	W208PPB5	28,6	80	36,53	18	W208PPB6	25,4	80	36,53	18	W208PPB8	28,6	80	36,53	30,18	W208PPB9	25,4	80	36,53	30,18	W208PPB11	22,2	85,74	36,53	30,18	W208PPB12	28,6	85,74	36,53	30,18	W208PPB13	22,2	80	36,53	18	W208PPB18	22,2	87,34	36,53	30,18	W208PPB19	28,6	87,34	36,53	30,18	W209PPB5	31,8	85	36,53	30,18	W209PPB7	31,8	87,34	36,53	30,18	W209PPB8	31,8	85	36,53	19	W209PPB30	30	90	45	29	W209PPB25	25	90	45	29	W210PPB4	28,6	90	30,18	30,18	W210PPB6	28,6	90	36,53	30,18	W211PPB3	38,1	100	33,34	33,34	W211PPB5	38,1	104,77	44,45	36,53	W211PPB6	38,1	103,56	44,45	36,53	<table border="1"> <thead> <tr> <th></th> <th>a</th> <th>D</th> <th>B</th> <th>C</th> </tr> </thead> <tbody> <tr> <td>GW208PP17</td> <td>28,6</td> <td>85,74</td> <td>36,53</td> <td>30,18</td> </tr> <tr> <td>GW210PP4</td> <td>28,6</td> <td>90</td> <td>30,18</td> <td>30,18</td> </tr> <tr> <td>GW21 1PP3</td> <td>38,1</td> <td>100</td> <td>33,34</td> <td>33,34</td> </tr> <tr> <td>GW21 1PP17</td> <td>38,1</td> <td>100</td> <td>44,45</td> <td>33,34</td> </tr> </tbody> </table>		a	D	B	C	GW208PP17	28,6	85,74	36,53	30,18	GW210PP4	28,6	90	30,18	30,18	GW21 1PP3	38,1	100	33,34	33,34	GW21 1PP17	38,1	100	44,45	33,34	<table border="1"> <thead> <tr> <th></th> <th>a</th> <th>D</th> <th>B</th> <th>C</th> </tr> </thead> <tbody> <tr> <td>GW208PPB5</td> <td>28,6</td> <td>80</td> <td>36,53</td> <td>21</td> </tr> <tr> <td>GW208PPB6</td> <td>25,4</td> <td>80</td> <td>36,53</td> <td>21</td> </tr> <tr> <td>GW208PPB8</td> <td>28,6</td> <td>80</td> <td>36,53</td> <td>30,18</td> </tr> <tr> <td>GW208PPB12</td> <td>28,6</td> <td>85,74</td> <td>36,53</td> <td>30,18</td> </tr> <tr> <td>GW208PPB17</td> <td>28,6</td> <td>85,74</td> <td>36,53</td> <td>30,18</td> </tr> <tr> <td>GW209PPB5</td> <td>31,8</td> <td>85</td> <td>36,53</td> <td>30,18</td> </tr> <tr> <td>GW209PPB8</td> <td>31,8</td> <td>85</td> <td>36,53</td> <td>22</td> </tr> <tr> <td>GW209PPB26</td> <td>25</td> <td>85</td> <td>42,85</td> <td>22</td> </tr> <tr> <td>GW209PPB31</td> <td>30</td> <td>85</td> <td>42,85</td> <td>22</td> </tr> <tr> <td>GW209PPB3</td> <td>30</td> <td>85</td> <td>45</td> <td>30,18</td> </tr> <tr> <td>GW210PPB4</td> <td>28,6</td> <td>90</td> <td>30,18</td> <td>30,18</td> </tr> <tr> <td>GW21 1PPB3</td> <td>38,1</td> <td>100</td> <td>33,34</td> <td>33,34</td> </tr> </tbody> </table>		a	D	B	C	GW208PPB5	28,6	80	36,53	21	GW208PPB6	25,4	80	36,53	21	GW208PPB8	28,6	80	36,53	30,18	GW208PPB12	28,6	85,74	36,53	30,18	GW208PPB17	28,6	85,74	36,53	30,18	GW209PPB5	31,8	85	36,53	30,18	GW209PPB8	31,8	85	36,53	22	GW209PPB26	25	85	42,85	22	GW209PPB31	30	85	42,85	22	GW209PPB3	30	85	45	30,18	GW210PPB4	28,6	90	30,18	30,18	GW21 1PPB3	38,1	100	33,34	33,34																
		a	D	B	C																																																																																																																																																																																																														
	W208PPB5	28,6	80	36,53	18																																																																																																																																																																																																														
	W208PPB6	25,4	80	36,53	18																																																																																																																																																																																																														
	W208PPB8	28,6	80	36,53	30,18																																																																																																																																																																																																														
	W208PPB9	25,4	80	36,53	30,18																																																																																																																																																																																																														
	W208PPB11	22,2	85,74	36,53	30,18																																																																																																																																																																																																														
	W208PPB12	28,6	85,74	36,53	30,18																																																																																																																																																																																																														
	W208PPB13	22,2	80	36,53	18																																																																																																																																																																																																														
	W208PPB18	22,2	87,34	36,53	30,18																																																																																																																																																																																																														
W208PPB19	28,6	87,34	36,53	30,18																																																																																																																																																																																																															
W209PPB5	31,8	85	36,53	30,18																																																																																																																																																																																																															
W209PPB7	31,8	87,34	36,53	30,18																																																																																																																																																																																																															
W209PPB8	31,8	85	36,53	19																																																																																																																																																																																																															
W209PPB30	30	90	45	29																																																																																																																																																																																																															
W209PPB25	25	90	45	29																																																																																																																																																																																																															
W210PPB4	28,6	90	30,18	30,18																																																																																																																																																																																																															
W210PPB6	28,6	90	36,53	30,18																																																																																																																																																																																																															
W211PPB3	38,1	100	33,34	33,34																																																																																																																																																																																																															
W211PPB5	38,1	104,77	44,45	36,53																																																																																																																																																																																																															
W211PPB6	38,1	103,56	44,45	36,53																																																																																																																																																																																																															
	a	D	B	C																																																																																																																																																																																																															
GW208PP17	28,6	85,74	36,53	30,18																																																																																																																																																																																																															
GW210PP4	28,6	90	30,18	30,18																																																																																																																																																																																																															
GW21 1PP3	38,1	100	33,34	33,34																																																																																																																																																																																																															
GW21 1PP17	38,1	100	44,45	33,34																																																																																																																																																																																																															
	a	D	B	C																																																																																																																																																																																																															
GW208PPB5	28,6	80	36,53	21																																																																																																																																																																																																															
GW208PPB6	25,4	80	36,53	21																																																																																																																																																																																																															
GW208PPB8	28,6	80	36,53	30,18																																																																																																																																																																																																															
GW208PPB12	28,6	85,74	36,53	30,18																																																																																																																																																																																																															
GW208PPB17	28,6	85,74	36,53	30,18																																																																																																																																																																																																															
GW209PPB5	31,8	85	36,53	30,18																																																																																																																																																																																																															
GW209PPB8	31,8	85	36,53	22																																																																																																																																																																																																															
GW209PPB26	25	85	42,85	22																																																																																																																																																																																																															
GW209PPB31	30	85	42,85	22																																																																																																																																																																																																															
GW209PPB3	30	85	45	30,18																																																																																																																																																																																																															
GW210PPB4	28,6	90	30,18	30,18																																																																																																																																																																																																															
GW21 1PPB3	38,1	100	33,34	33,34																																																																																																																																																																																																															
ШЕСТИУГОЛЬНОЕ ОТВЕРСТИЕ 			<table border="1"> <thead> <tr> <th></th> <th>a</th> <th>D</th> <th>B</th> <th>C</th> </tr> </thead> <tbody> <tr> <td>205KRR2</td> <td>22,25</td> <td>52</td> <td>25,4</td> <td>15</td> </tr> <tr> <td>206KPP3</td> <td>25,43</td> <td>62</td> <td>24</td> <td>16</td> </tr> <tr> <td>206KRR6</td> <td>25,43</td> <td>62</td> <td>24</td> <td>16</td> </tr> <tr> <td>207KPP3</td> <td>31,77</td> <td>72</td> <td>37,7</td> <td>17</td> </tr> <tr> <td>207KRR17</td> <td>31,77</td> <td>72</td> <td>25</td> <td>17</td> </tr> <tr> <td>W208KRR8</td> <td>31,77</td> <td>80</td> <td>36,53</td> <td>18</td> </tr> </tbody> </table>		a	D	B	C	205KRR2	22,25	52	25,4	15	206KPP3	25,43	62	24	16	206KRR6	25,43	62	24	16	207KPP3	31,77	72	37,7	17	207KRR17	31,77	72	25	17	W208KRR8	31,77	80	36,53	18	<table border="1"> <thead> <tr> <th></th> <th>a</th> <th>D</th> <th>B</th> <th>C</th> </tr> </thead> <tbody> <tr> <td>205KRRB2</td> <td>22,25</td> <td>52</td> <td>25,4</td> <td>15</td> </tr> <tr> <td>205PPB13</td> <td>22,25</td> <td>52</td> <td>25,4</td> <td>15</td> </tr> <tr> <td>206KPPB3</td> <td>25,43</td> <td>62</td> <td>24</td> <td>16</td> </tr> <tr> <td>206KRRB6</td> <td>25,43</td> <td>62</td> <td>24</td> <td>16</td> </tr> <tr> <td>207KPPB3</td> <td>31,77</td> <td>72</td> <td>25</td> <td>17</td> </tr> <tr> <td>207KRRB9</td> <td>28,6</td> <td>72</td> <td>37,7</td> <td>17</td> </tr> <tr> <td>207KRRB12</td> <td>28,6</td> <td>72</td> <td>25</td> <td>17</td> </tr> <tr> <td>207KRRB17</td> <td>31,77</td> <td>72</td> <td>25</td> <td>17</td> </tr> <tr> <td>W208PPB16</td> <td>31,77</td> <td>80</td> <td>36,53</td> <td>18</td> </tr> <tr> <td>209KRRB2</td> <td>38,12</td> <td>85</td> <td>30</td> <td>19</td> </tr> </tbody> </table>		a	D	B	C	205KRRB2	22,25	52	25,4	15	205PPB13	22,25	52	25,4	15	206KPPB3	25,43	62	24	16	206KRRB6	25,43	62	24	16	207KPPB3	31,77	72	25	17	207KRRB9	28,6	72	37,7	17	207KRRB12	28,6	72	25	17	207KRRB17	31,77	72	25	17	W208PPB16	31,77	80	36,53	18	209KRRB2	38,12	85	30	19	<table border="1"> <thead> <tr> <th></th> <th>a</th> <th>D</th> <th>B</th> <th>C</th> </tr> </thead> <tbody> <tr> <td>G206KPP4</td> <td>25,43</td> <td>62</td> <td>24</td> <td>18</td> </tr> </tbody> </table>		a	D	B	C	G206KPP4	25,43	62	24	18	<table border="1"> <thead> <tr> <th></th> <th>a</th> <th>D</th> <th>B</th> <th>C</th> </tr> </thead> <tbody> <tr> <td>G206KPPB4</td> <td>25,43</td> <td>62</td> <td>24</td> <td>18</td> </tr> <tr> <td>G206KRRB6</td> <td>25,43</td> <td>62</td> <td>24</td> <td>18</td> </tr> <tr> <td>G207KPPB2</td> <td>28,60</td> <td>72</td> <td>37,7</td> <td>19</td> </tr> <tr> <td>GW208KRRB5</td> <td>31,77</td> <td>80</td> <td>36,53</td> <td>21</td> </tr> <tr> <td>GW208PPB22</td> <td>31,88</td> <td>80</td> <td>36,53</td> <td>21</td> </tr> </tbody> </table>		a	D	B	C	G206KPPB4	25,43	62	24	18	G206KRRB6	25,43	62	24	18	G207KPPB2	28,60	72	37,7	19	GW208KRRB5	31,77	80	36,53	21	GW208PPB22	31,88	80	36,53	21																																																																											
		a	D	B	C																																																																																																																																																																																																														
	205KRR2	22,25	52	25,4	15																																																																																																																																																																																																														
	206KPP3	25,43	62	24	16																																																																																																																																																																																																														
	206KRR6	25,43	62	24	16																																																																																																																																																																																																														
	207KPP3	31,77	72	37,7	17																																																																																																																																																																																																														
	207KRR17	31,77	72	25	17																																																																																																																																																																																																														
	W208KRR8	31,77	80	36,53	18																																																																																																																																																																																																														
		a	D	B	C																																																																																																																																																																																																														
	205KRRB2	22,25	52	25,4	15																																																																																																																																																																																																														
205PPB13	22,25	52	25,4	15																																																																																																																																																																																																															
206KPPB3	25,43	62	24	16																																																																																																																																																																																																															
206KRRB6	25,43	62	24	16																																																																																																																																																																																																															
207KPPB3	31,77	72	25	17																																																																																																																																																																																																															
207KRRB9	28,6	72	37,7	17																																																																																																																																																																																																															
207KRRB12	28,6	72	25	17																																																																																																																																																																																																															
207KRRB17	31,77	72	25	17																																																																																																																																																																																																															
W208PPB16	31,77	80	36,53	18																																																																																																																																																																																																															
209KRRB2	38,12	85	30	19																																																																																																																																																																																																															
	a	D	B	C																																																																																																																																																																																																															
G206KPP4	25,43	62	24	18																																																																																																																																																																																																															
	a	D	B	C																																																																																																																																																																																																															
G206KPPB4	25,43	62	24	18																																																																																																																																																																																																															
G206KRRB6	25,43	62	24	18																																																																																																																																																																																																															
G207KPPB2	28,60	72	37,7	19																																																																																																																																																																																																															
GW208KRRB5	31,77	80	36,53	21																																																																																																																																																																																																															
GW208PPB22	31,88	80	36,53	21																																																																																																																																																																																																															

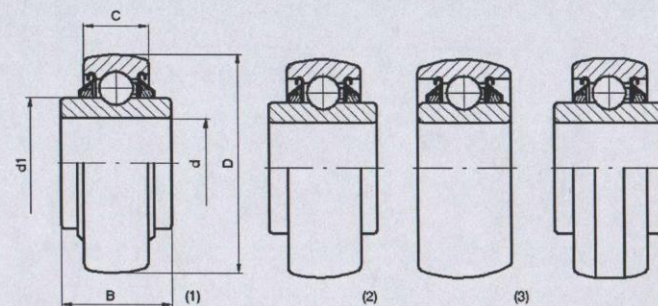
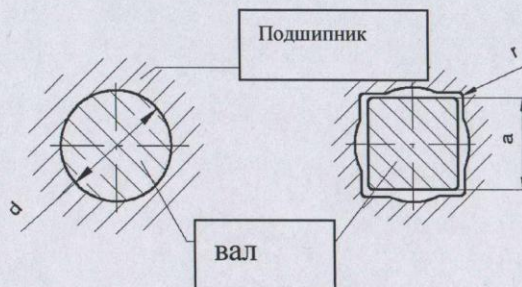
ТРОЙНОЕ УПЛОТНЕНИЕ "2Т"



ШАРИКОВЫЕ ПОДШИПНИКИ ДЛЯ СЕЛЬСКОХОЗЯЙСТВЕННЫХ МАШИН
ТРОЙНЫЕ УПЛОТНЕНИЯ – СФЕРИЧЕСКОЕ НАРУЖНОЕ КОЛЬЦО – С ПОСТОЯННОЙ СМАЗКОЙ



...2Т



отверстие дюйм	d мм	дюйм	D мм	Номинальные размеры				d ₁ мм	
				B дюйм	мм	C дюйм	мм		
1,5005	38,113	3,1496	80	1,688	42,96	0,709	18	2,047	52
1,1880	30,17			1,188	30,18	1,188	30,18		
1,1880	30,17			1,188	30,18	0,709	18		
1,5005	38,113			1,688	42,96	1,188	30,18		
1,7717	45	3,3465	85	1,188	30,18	1,188	30,18	2,228	56,6
1,5350	39			1,188	30,18	1,188	30,18		
1,7811	45,24			1,438	36,53	0,866	22		
1,9380	49,23	3,5433	90	1,188	30,18	1,188	30,18	2,461	62,5
1,7811	45,34			1,188	30,18	1,188	30,18		
2,1880	55,58	3,39370	100	1,312	33,34	1,312	33,34	2,720	69,1

Размеры вала a

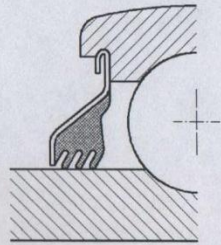
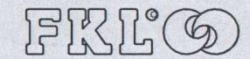
1	1/8	28,6	3,1496	80	1,438	36,53	0,709	18	2,047	52
1		25,4	3,1496	80			0,709	18		
1	1/8	28,6	3,1496	80			1,188	30,18		
1		25,4	3,1496	80			1,188	30,18		
	7/8	22,2	3,3755	85,74			1,188	30,18		
1	1/8	28,6	3,3755	85,74			1,188	30,18		
	7/8	22,2	3,1496	80			0,709	18		
	7/8	22,2	3,4385	87,34			1,188	30,18		
1	1/8	28,6	3,4385	87,34			1,188	30,18		
1	1/4	31,8	3,3465	85	1,438	36,53	1,188	30,18	2,228	56,6
1	1/4	31,8	3,4385	87,34	1,438	36,53	1,188	30,18		
1	1/4	31,8	3,3465	85	1,438	36,53	0,748	19		
-		30	3,5433	90	1,772	45	1,142	29		
-		25	3,5433	90	1,772	45	1,142	29		
1	1/8	28,6	3,5433	90	1,188	30,18	1,188	30,18	2,461	62,5
1	1/8	28,6	3,5433	90	1,438	36,53	1,188	30,18		
1	1/2	38,1	3,9370	100	1,312	33,34	1,312	33,34	2,720	69,1
1	1/2	38,1	4,1250	104,77	1,750	44,45	1,438	36,53		
1	1/2	38,1	4,0770	103,56	1,750	44,45	1,438	36,53		

lbs.	Нагрузка		lbs.	C ₀ kN	Масса		КРУГЛОЕ ОТВЕРСТИЕ	
	C kN	lbs.			lbs.	кг	Обозначение	тип
7300	32,5	4400	19,8	1,59	0,72	W208PPB2	1	
				1,60	0,73	W208PPB4	3	
				1,41	0,64	W208PPB7	1	
				1,50	0,68	W208PPB23	1	
7300	32,5	4600	20,4	1,44	0,65	W209PPB2	3	
				1,65	0,75	W209PPB4	3	
				1,34	0,62	W209PPB11	1	
7800	35,0	5200	23,2	1,56	0,71	W210PPB2	3	
				1,75	0,79	W210PPB5	3	
9700	43,5	6500	29,0	2,13	0,97	W211PPB2	3	

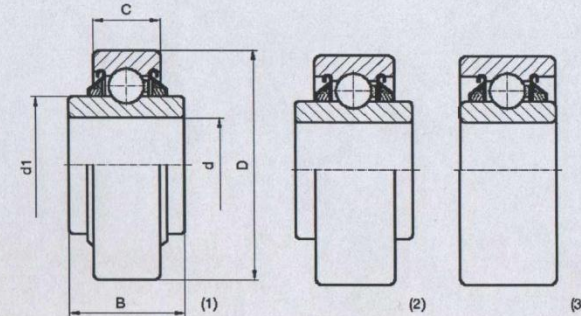
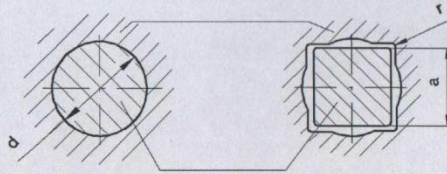
lbs.	Нагрузка		lbs.	C ₀ kN	Масса		КВАДРАТНОЕ ОТВЕРСТИЕ	
	C kN	lbs.			lbs.	кг	Обозначение	тип
7300	32,5	4400	19,8	1,47	0,68	W208PPB5	1	
				1,59	0,72	W208PPB6	1	
				1,70	0,77	W208PPB8	2	
				1,90	0,86	W208PPB9	2	
				2,20	1,00	W208PPB11	4	
				2,09	0,95	W208PPB12	4	
				1,62	0,74	W208PPB13	1	
				2,05	0,93	W208PPB18	4	
				1,87	0,85	W208PPB19	4	
7300	32,5	4600	20,4	1,75	0,79	W209PPB5	1	
				1,85	0,84	W209PPB7	4	
				1,65	0,75	W209PPB8	1	
				2,51	1,14	W209PPB30	4	
				2,91	1,32	W209PPB25	4	
7800	35,0	5200	23,2	2,11	0,96	W210PPB4	3	
				2,25	1,02	W210PPB6	1	
9700	43,5	6500	29,0	2,66	1,21	W211PPB3	3	
				4,10	1,86	W211PPB5	4	
				3,83	1,74	W211PPB6	4	

Возможные неточности и опечатки не могут являться основанием для юридических претензий.

ШАРИКОВЫЕ ПОДШИПНИКИ ДЛЯ СЕЛЬСКОХОЗЯЙСТВЕННЫХ МАШИН
ТРОЙНЫЕ УПЛОТНЕНИЯ – ЦИЛИНДРИЧЕСКОЕ НАРУЖНОЕ КОЛЬЦО – С ПОСТОЯННОЙ СМАЗКОЙ



...2T



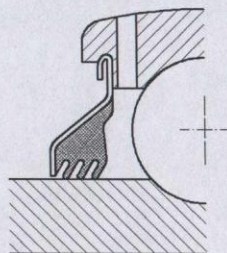
Отверстие дюйм	d мм	D дюйм	D мм	Номинальные размеры				d ₁ дюйм	d ₁ мм
				B дюйм	B мм	C дюйм	C мм		
1,1880	30,17	3,1496	80	1,188	30,18	1,188	30,18	2,047	52
1,1880	30,17			1,188	30,18	0,709	18		
1,5005	38,113			1,687	42,85	0,827	21		
1,9380	49,23	3,5433	90	1,188	30,18	1,188	30,18	2,461	62,5
1,5300	38,86			1,188	30,18	1,188	30,18		
2,1880	55,58	3,3970	100	1,312	33,34	1,312	33,34	2,720	69,1
Размеры вала a									
	25	2,8346	72	1,771	45	0,945	24	1,815	46,1
1 1/4	31,8	3,1496	80	1,438	36,53	0,709	18	2,047	52
1	25,4					0,709	18		
1 1/8	28,6					1,188	30,18		
1 1/8	28,6					0,709	18		
	30	3,3465	85	1,771	45	1,188	30,18	2,228	56,6
1 1/8	28,6	3,5433	90	1,188	30,18	1,188	30,18	2,461	62,5
1 1/2	38,1	3,9370	100	1,312	33,34	1,312	33,34	2,720	69,1
1 1/2	38,1	4	101,6	1,750	44,45	1,438	36,52		

lbs.	Нагрузка		lbs.	C ₀ kN	Масса		КРУГЛОЕ ОТВЕРСТИЕ	
	C kN	lbs.			lbs.	кг	Обозначение	тип
7300	32,5	4400	19,8	1,68	0,76	W208PP4	3	
				1,43	0,65	W208PP7	1	
				1,50	0,68	W208PP10	1	
7800	35,0	5200	23,2	1,69	0,77	W210PP2	3	
				1,97	0,89	W210PP8	3	
9700	43,5	6500	29,0	2,33	1,06	W211PP2	3	
КВАДРАТНОЕ ОТВЕРСТИЕ								
5700	25,5	3400	15,3	1,65	0,75	W207PP3	1	
7300	32,5	4400	19,8	1,50	0,68	W208PP5	1	
				1,62	0,73	W208PP6	1	
				1,66	0,75	W208PP8	1	
				2,50	0,68	W208PP20	1	
7300	32,5	4600	20,4	2,16	0,98	W209PP3	2	
7800	35,0	5200	23,2	1,92	0,87	W210PP4	3	
9700	43,5	6500	29,0	2,79	1,27	W211PP3	3	
				3,48	1,58	W211PP5	1	

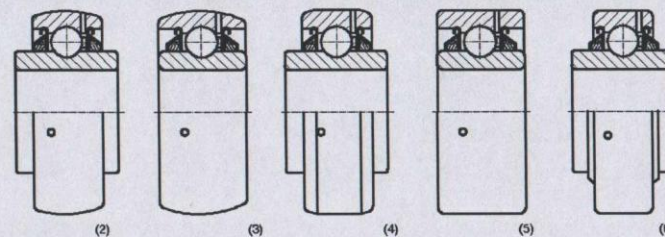
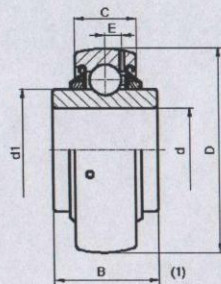
Возможные неточности и опечатки не могут являться основанием для юридических претензий.

ШАРИКОВЫЕ ПОДШИПНИКИ ДЛЯ СЕЛЬСКОХОЗЯЙСТВЕННЫХ МАШИН

ТРОЙНЫЕ УПЛОТНЕНИЯ – СО СМАЗОЧНЫМ ОТВЕРСТИЕМ



...2Т



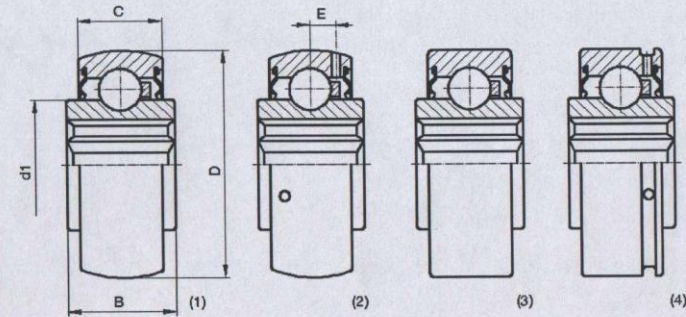
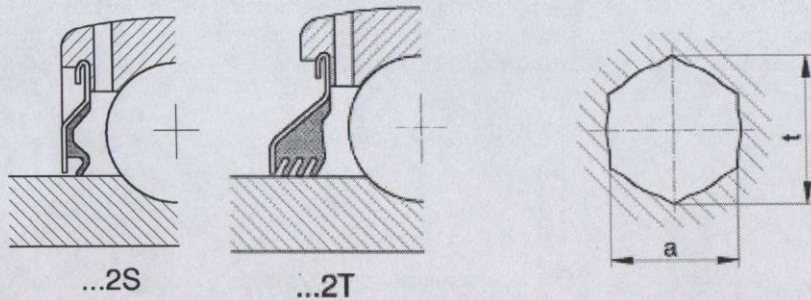
Отверстие		d	D	B		C		Номинальные размеры			
дюйм	мм	дюйм	мм	дюйм	мм	дюйм	мм	d ₁		E	
								дюйм	мм	дюйм	мм
1,7717	45	3,3465	85	1,188	30,18	1,188	30,18	2,228	56,6	0,256	6,5
1,5350	39			1,188	30,18	1,188	30,18				
1,7810	45,24			1,438	36,53	0,866	22				
1,7650	44,831			1,687	42,85	0,866	22				
1,9380	49,23	3,5433	90	1,188	30,18	1,188	30,18	2,461	62,5	0,260	6,6
1,4065	35,73			1,188	30,18	1,188	30,18				
1,7850	45,34			1,188	30,18	1,188	30,18				
1,9450	49,40			1,438	36,53	0,906	23				
2,1880	55,58	3,3970	100	1,312	33,34	1,312	33,34	2,720	69,1	0,279	7,1
2,1880	55,58			1,312	33,34	1,312	33,34				
1,6600	42,16			1,312	33,34	1,312	33,34				
2,1880	55,58			1,312	33,34	0,984	25				
2,1950	55,75			1,562	39,69	0,984	25				
2,1950	55,75			1,562	39,69	0,984	25				
1,9380	49,23			1,312	33,34	1,312	33,34				
1,7850	45,34			1,312	33,34	0,984	25				
1,7850	45,34			1,312	33,34	0,984	25				
2,0150	51,18			1,312	33,34	0,984	25				
2,1880	55,58			2,187	55,55	0,984	25				
2,1880	55,58			1,575	40	0,984	25				

Несущая способность		C ₀		Масса		КРУГЛОЕ ОТВЕРСТИЕ	
C	kN	lbs.	C ₀	kN	lbs.	кг	Обозначение
lbs.							тип
7300	32,5	4600	20,4	1,44	0,65		GW209PPB2
				1,65	0,75		GW209PPB4
				1,37	0,62		GW209PPB11
				1,50	0,68		GW209PPB12
7800	35,0	5200	23,2	1,50	0,68		GW210PPB2
				2,25	1,02		GW210PP3
				1,75	0,79		GW210PPB5
				1,75	0,79		GW210PP9
9700	43,5	6500	29,0	3,00	1,36		GW211PP2
				2,62	1,19		GW211PPB2
				3,00	1,36		GW211PP4
				1,85	0,84		GW211PPB8
				2,02	0,92		GW211PPB9
				2,02	0,92		GW211PP9
				2,26	1,03		GW211PPB10
				2,02	0,92		GW211PPB13
				2,02	0,92		GW211PP13
				2,00	0,91		GW211PPB14
				2,18	0,99		GW211PPB15
				2,03	0,92		GW211PPB16

Возможные неточности и опечатки не могут являться основанием для юридических претензий.

ШАРИКОВЫЕ ПОДШИПНИКИ ДЛЯ СЕЛЬСКОХОЗЯЙСТВЕННЫХ МАШИН

ШЕСТИУГОЛЬНОЕ ОТВЕРСТИЕ



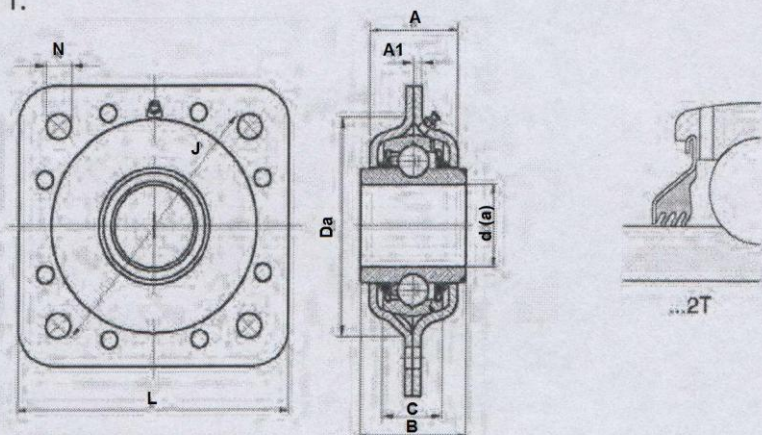
Вал	a	t мин.	D	Номинальные размеры											
				B	C	d ₁	E								
дюйм	дюйм	мм	дюйм	мм	дюйм	мм	дюйм	мм	дюйм	мм	дюйм	мм			
7/8	0,876	22,25	1,010	25,65	2,0472	52	1	25,4	0,591	15	1,323	33,6			
1	1,001	25,43	1,152	29,26	2,4409	62	0,945	24	0,630	16	1,563	39,7			
1	1/4	1,251	31,77	1,443	36,35	2,8346	72	1,484	37,7	0,669	17	1,815	46,1		
1	1/4	1,251	31,77	1,443	36,35			0,984	25						
1	1/8	1,126	28,6	1,298	32,97			1,484	37,7						
1	1/8	1,126	28,6	1,298	32,97			0,984	25						
1	1/4	1,251	31,77	1,443	36,35			0,984	25						
1	1/4	1,251	31,77	1,443	36,35			0,984	25						
1	1/4	1,251	31,77	1,443	36,65	3,1496	80	1,438	36,53	0,709	18	2,047	52		
1	1/2	1,501	38,12	1,730	43,94	3,3456	85	1,181	30	0,748	19	2,228	56,6		
1	1,001	25,43	1,152	29,26	2,4409	62	0,945	24	0,709	18	1,563	39,7	0,201	5,1	
1	1/8	1,126	28,60	1,298	32,97	2,8346	72	1,484	37,7	0,748	19	1,815	46,1	0,220	5,6
1	1/4	1,251	31,77	1,443	36,65	3,1496	80	1,438	36,53	0,827	21	2,047	52	0,236	6
1	1/4	1,255	31,88	1,447	36,75										

Несущая способность		C		C ₀		Масса		БЕЗ СМАЗОЧНЫХ ОТВЕРСТИЙ			
lbs.	kN	lbs.	kN	lbs.	кг	Уплотнение Фиг. а		Обозначение		Уплотнение Фиг. б	
lbs.	kN	lbs.	kN	lbs.	кг	тип	Уплотнение Фиг. а	тип	Уплотнение Фиг. б	тип	
3100	14,0	1700	7,8	0,44	0,20	205KRR2	3				
				0,44	0,20	205KRRB2	1				
				0,44	0,20				205PPB13	1	
4400	19,5	2500	11,3	0,76	0,35				206KPP3	3	
				0,76	0,35				206KPPB3	1	
				0,75	0,34	206KRR6	3		206KPPB3	1	
				0,75	0,34	206KRRB6	1				
5700	25,5	3400	15,3	1,00	0,45	207KPP3	3				
				0,87	0,40	207KPPB3	1				
				1,00	0,45	207KRRB9	1				
				0,87	0,40	207KRRB12	1				
				0,87	0,40	207KRR17	3				
				0,87	0,40	207KRRB17	1				
7300	32,5	4400	19,8	1,45	0,66				W208PPB16	1	
				1,45	0,66	W208KRR8	3				
7300	32,5	4600	20,4	1,27	0,58	209KRRB2	1				
С СМАЗОЧНЫМ ОТВЕРСТИЕМ											
4400	19,5	2500	11,3	0,62	0,28				G206KPP4	4	
				0,61	0,28				G206KPPB4	2	
				0,59	0,27	G206KRRB6	2				
5700	25,5	3400	15,3	1,00	0,45				G207KPPB2	2	
7300	32,5	4400	19,8	1,40	0,64	GW208KRRB5	2				
				1,50	0,68				GW208PPB22	2	

Возможные неточности и опечатки не могут являться основанием для юридических претензий.

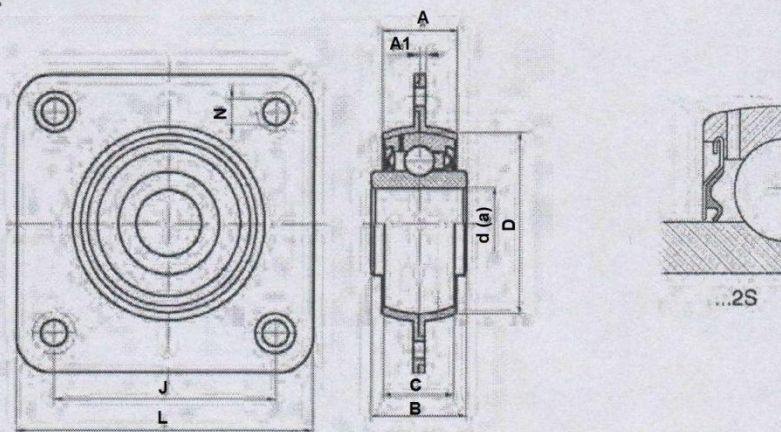
ШАРИКОВЫЕ ПОДШИПНИКИ ДЛЯ СЕЛЬСКОХОЗЯЙСТВЕННЫХ МАШИН

тип 1.



Размеры вала			Номинальные размеры (мм)								
а-квадрат	d-круглое отверстие		B	A	A ₁	C	D _a	L	J	N	
мм	дюйм	мм									
	0,9843	25	30	15	2	15	-	78	58	9,5	
25	1,7650	44,831	42,85	40	4	25,4	97	127	127	13,5	
			42,85			25,4					
			42,85			25,4					
30			45			26,5					
30	1,5748	40	42,85			25,4					
40,5	2,1880	55,58	55,55	44,7	4	31,8	113	140	140	13,5	
			45			26,5					
			55			31,5					

тип 2.



Рекомендации для макс. нагрузки						тип	обозначение
радиаль.	аксиал.		масса				
lbs	kN	lbs	kN	lbs	kg		
817	3,6	409	1,8	0,79	0,36	2	LEST 205 2F
1750	7,7	860	3,8	3,32	1,51	1	GWST 209PPB12
				3,92	1,78	1	GWST 209PPB26
				3,72	1,69	1	GWST 209PPB31
				3,98	1,81	1	GWST 209PPB3
				3,56	1,62	1	GWST 209PPB40
2200	9,8	1150	5,1	4,51	2,05	1	GWST 211PPB15
				4,95	2,25	1	GWST 211PPB40
				4,55	2,07	1	LSST 211 X3-3

Возможные неточности и опечатки не могут являться основанием для юридических претензий.